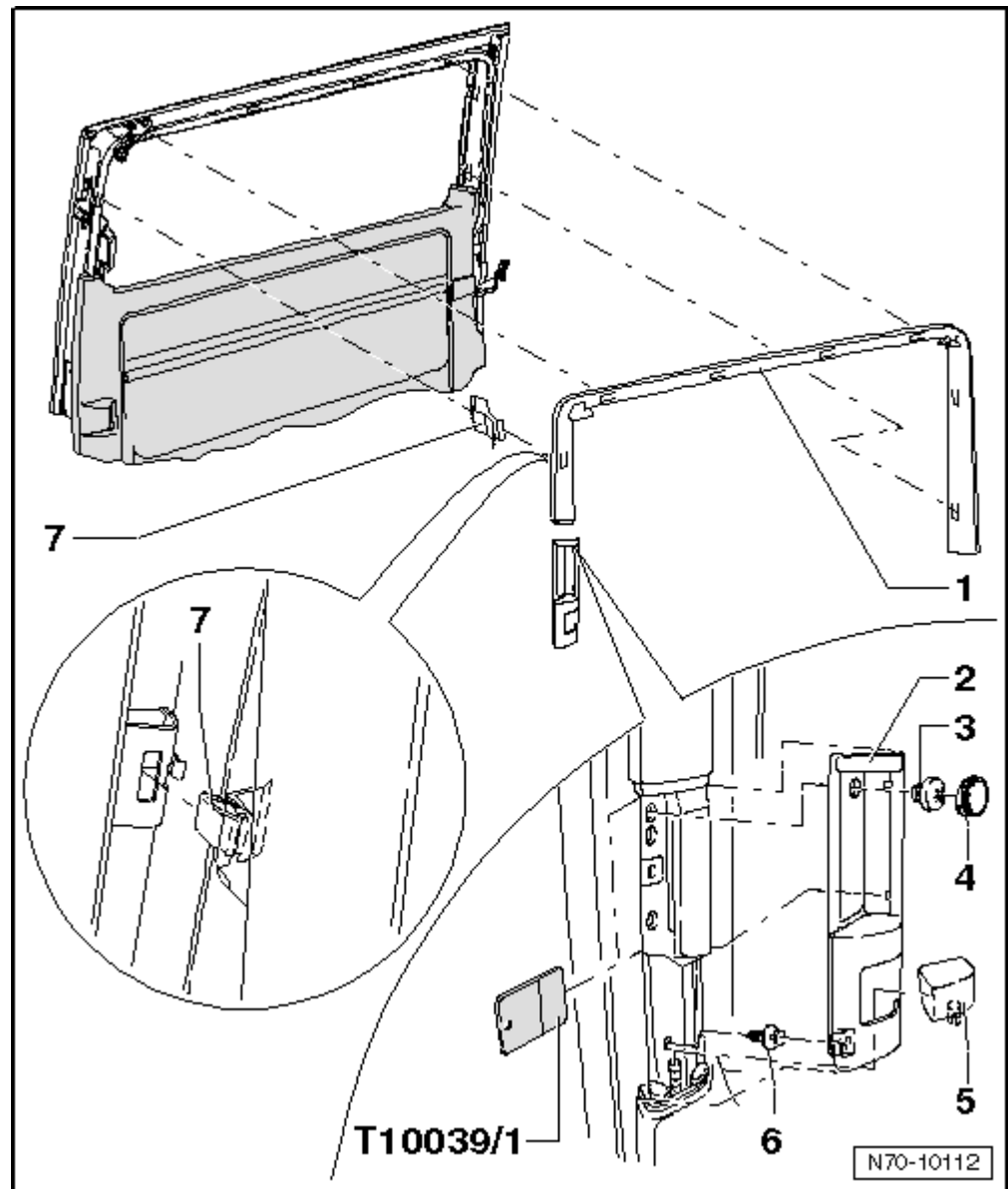


Removing



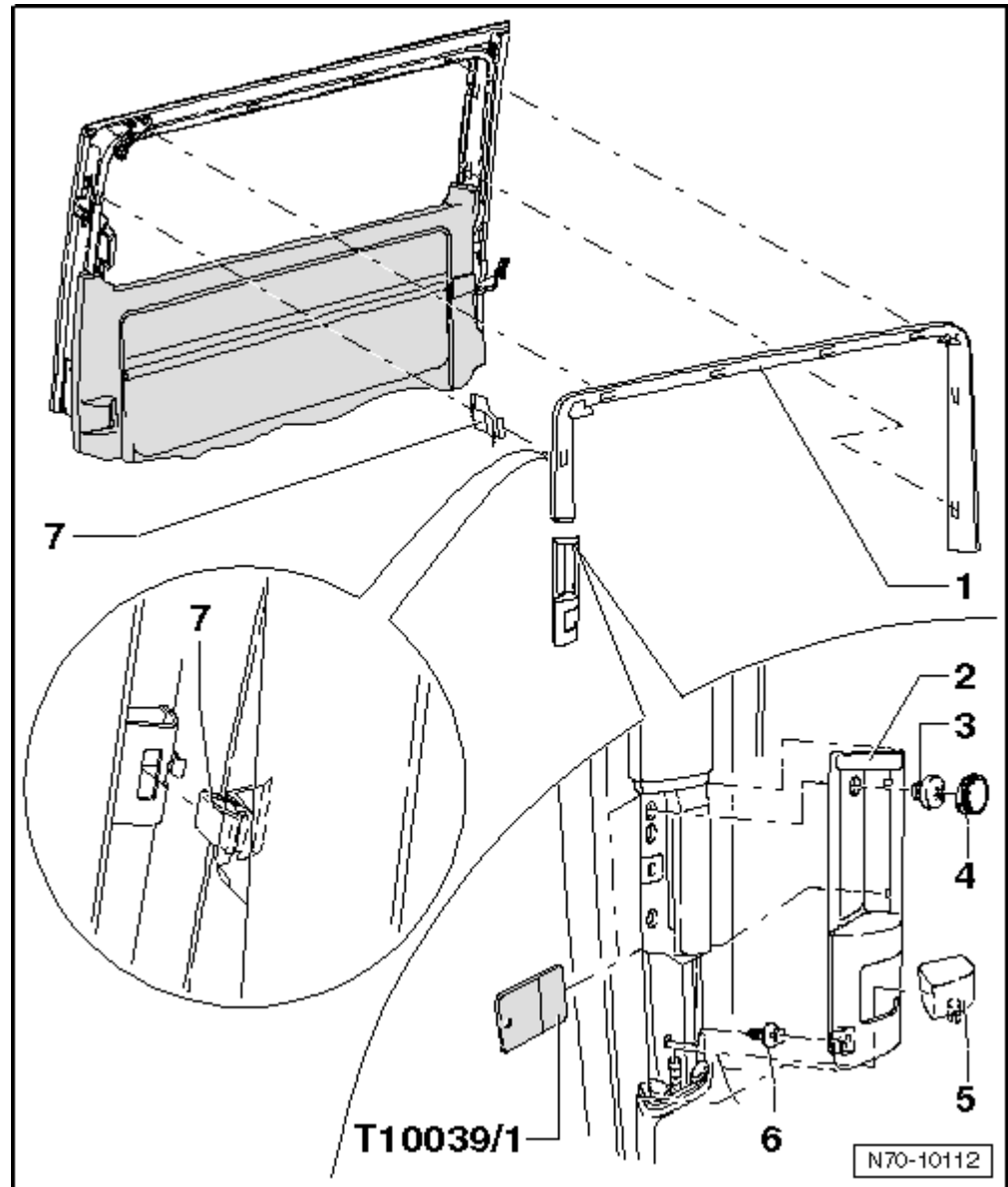
- Switch off ignition.
- Pull release button -5- off upwards.
- Lever out cap -4- from door handle trim -2- using a small screwdriver.
- Remove bolt -3-, specified torque 1.8 Nm.
- Starting at top, lever door handle trim out of mountings using wedge -T10039/1- and remove trim upwards.
- Pull trim -1- off inwards, starting at sides.

Installing



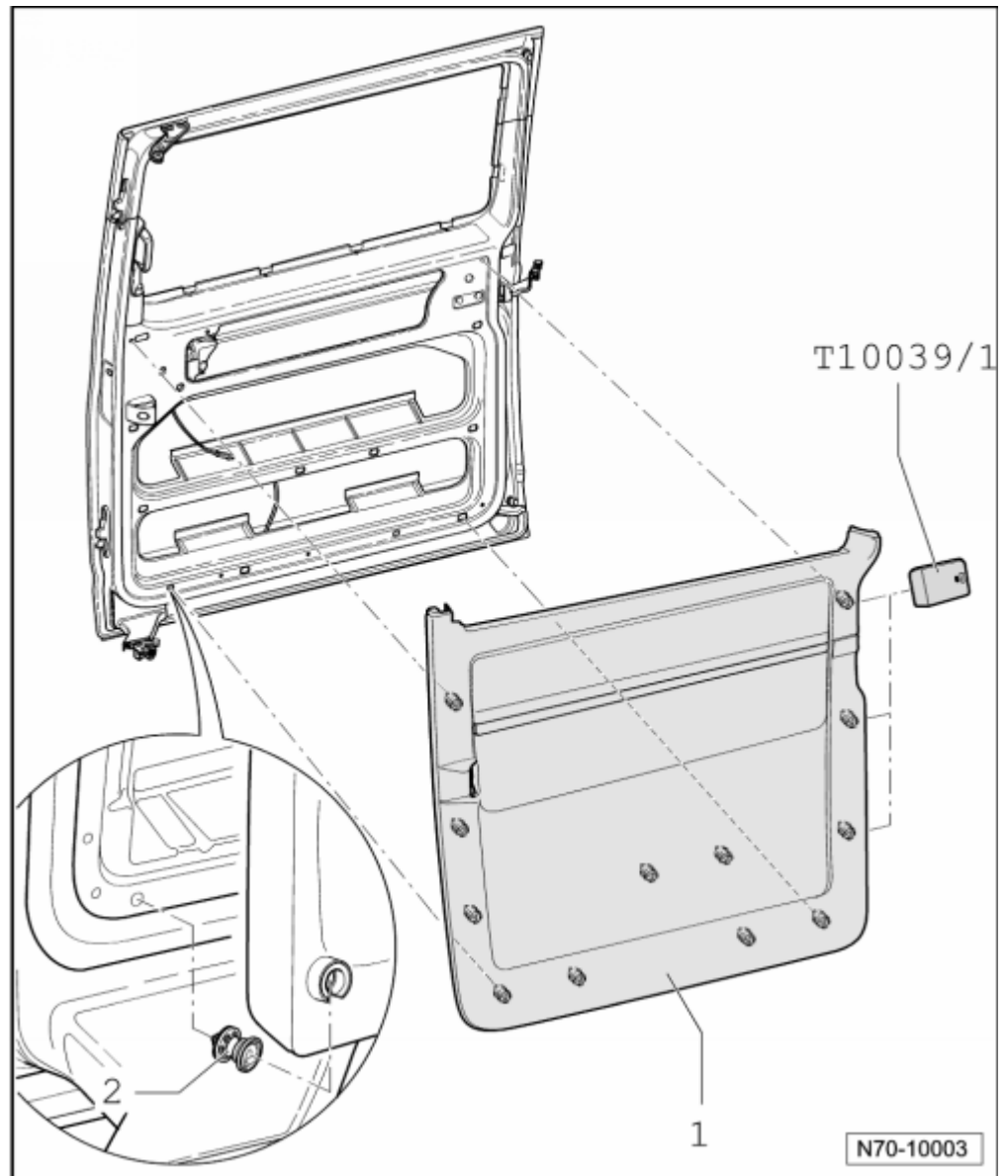
Note

Before installing, check fasteners -7- and clip -6- for damage and renew if necessary.



- Installation is carried out in reverse order of removal.

Removing

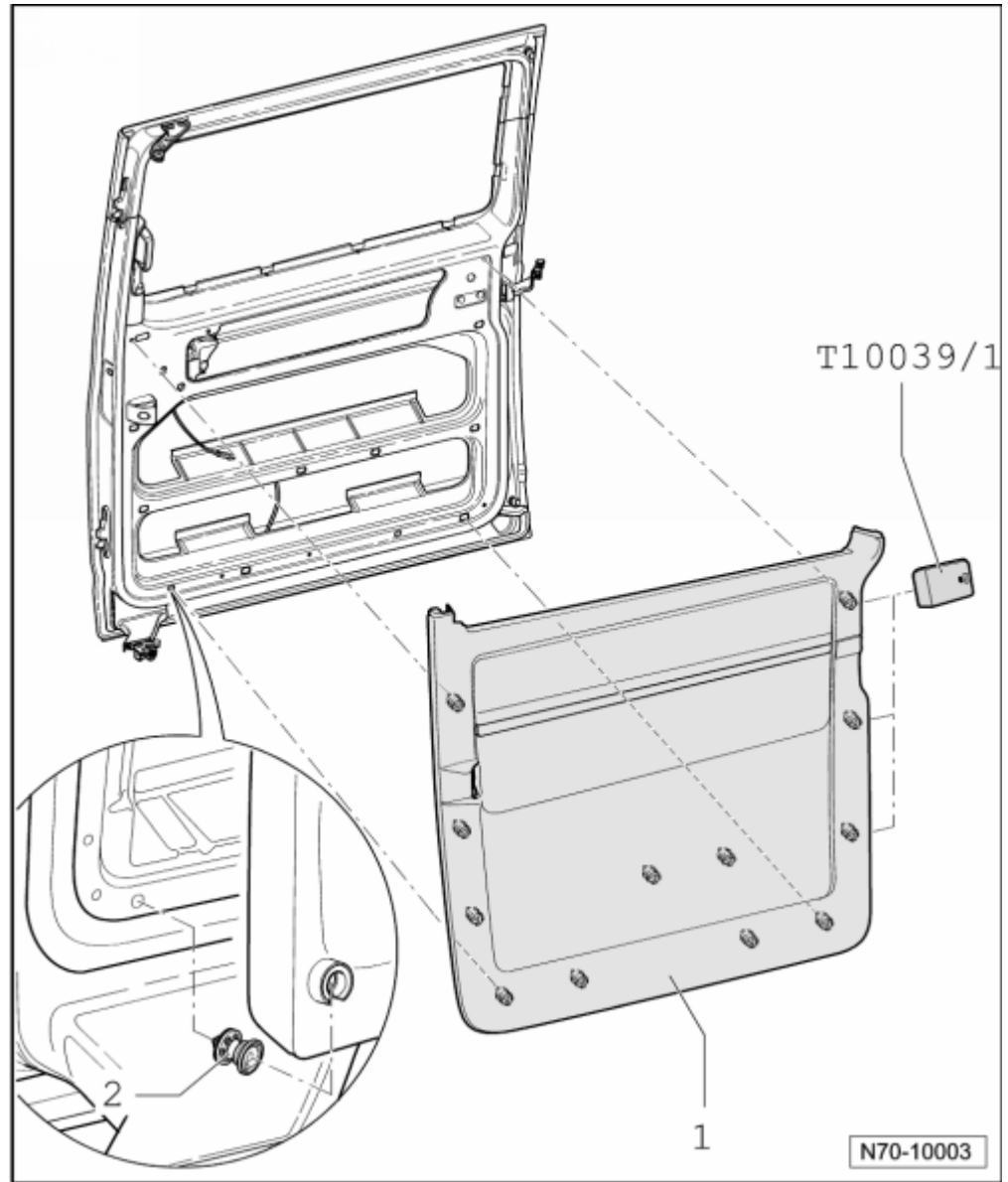


- Remove trims for door handle and window frame → Chapter.
- Lever trim panel -1- out of fasteners, starting at bottom, using wedge -T10039/1-.
- Remove trim panel -1- inwards out of mountings.

Installing

Note

Before installing, check fasteners -2- for damage and renew if necessary.



– Installation is carried out in reverse order of removal.