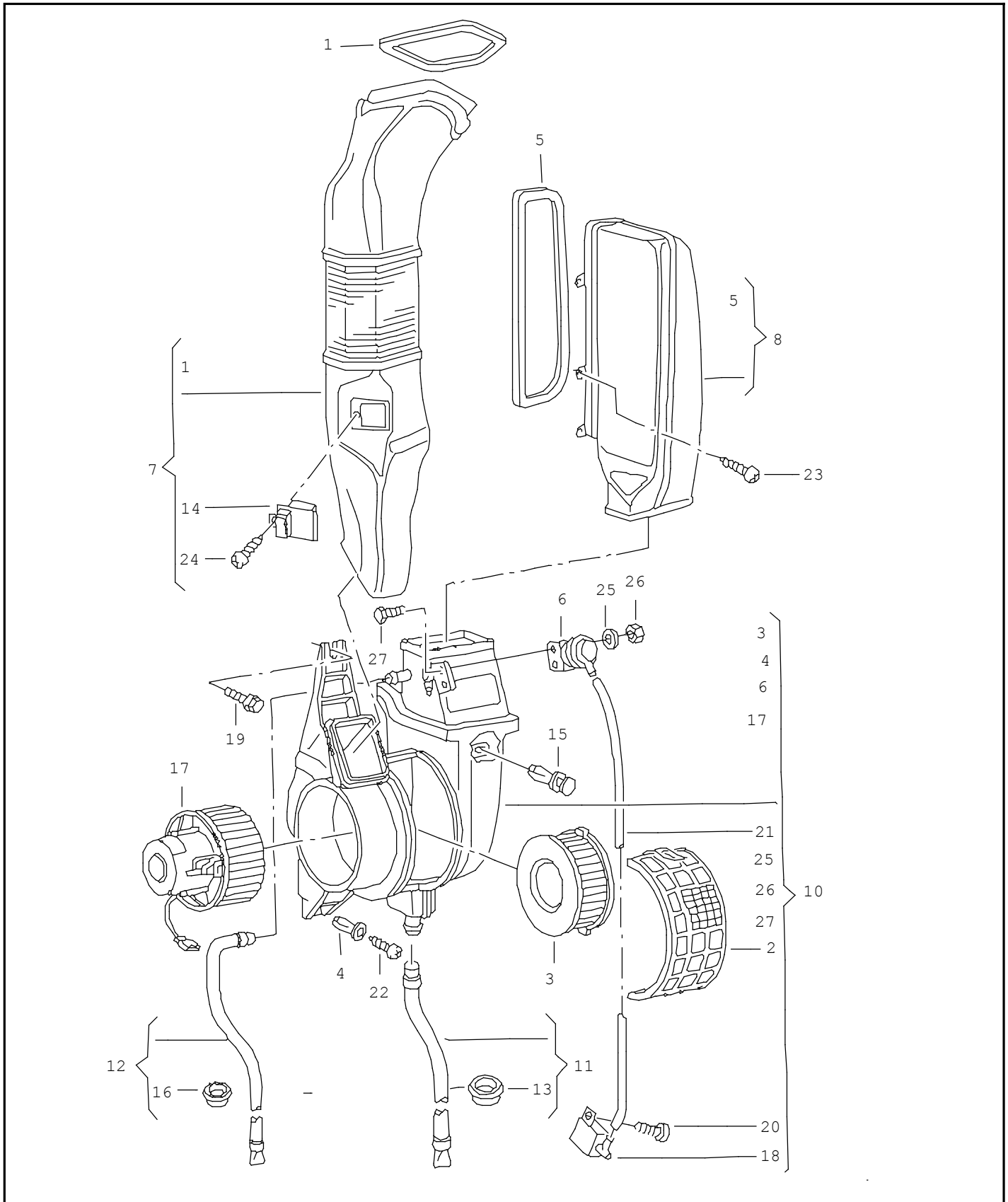




# ETKA



Model	Year	MG	SG	Illustration	Restrictions	Update		
TR	02	8	19	819-21		436	9:11	01.06.2007





# ETKA



Model TR	Year 02	MG 8	SG 19	Illustration 819-21	Restrictions	Update 436	9:11	01.06.2007
-------------	------------	---------	----------	------------------------	--------------	---------------	------	------------

Pos	Part Number	Name	Remarks	Qty	Model
		passenger comp. ventilation			
(1)	7D0 820 190	gasket for air duct		1	
2	703 819 996	cover air cleaner element		1	
(3)	7D0 819 989	air cleaner element dust and pollen filter		1	
(3)	703 819 990 A	filter element		1	
4	703 819 948	speed nut F >> 70-X-020 000*	15,7X20MM	1	
4	703 819 948	speed nut for vehicles with wheelbase: F 70-X-020 001>>*	15,7X20MM 2920MM	1	
(4)	N 908 558 01	plug for vehicles with wheelbase: F 70-X-020 001>>*	A 11,5X27X22 3320MM	1	
5	703 815 938	gasket		1	
6	703 819 910	vacuum unit		1	
(7)	703 819 908 C	air duct F >> 70-X-020 000*		1	
(7)	703 819 908 C	air duct for vehicles with wheelbase: F 70-X-020 001>>*	2920MM	1	
(7)	723 819 908	air duct for vehicles with wheelbase: F 70-X-020 001>>*	3320MM	1	
8	703 819 906	intake duct F >> 70-X-020 000*		1	
8	703 819 906	intake duct for vehicles with wheelbase: F 70-X-020 001>>*	2920MM	1	
(8)	723 819 906	intake duct for vehicles with wheelbase: F 70-X-020 001>>*	3320MM	1	
(10)	7D0 819 903 B	air distribution housing		1	
11	703 815 990	water drain pipe		1	
12	703 815 990 A	water drain pipe		1	
13	703 815 939	grommet	51X22X66	1	
14	701 959 263	series resistance for fresh air and hot air blower	1,7/0,8/0,4	1	
15	701 867 299	clip		1	



# ETKA



Model TR	Year 02	MG 8	SG 19	Illustration 819-21	Restrictions	Update 436	9:11	01.06.2007
-------------	------------	---------	----------	------------------------	--------------	---------------	------	------------

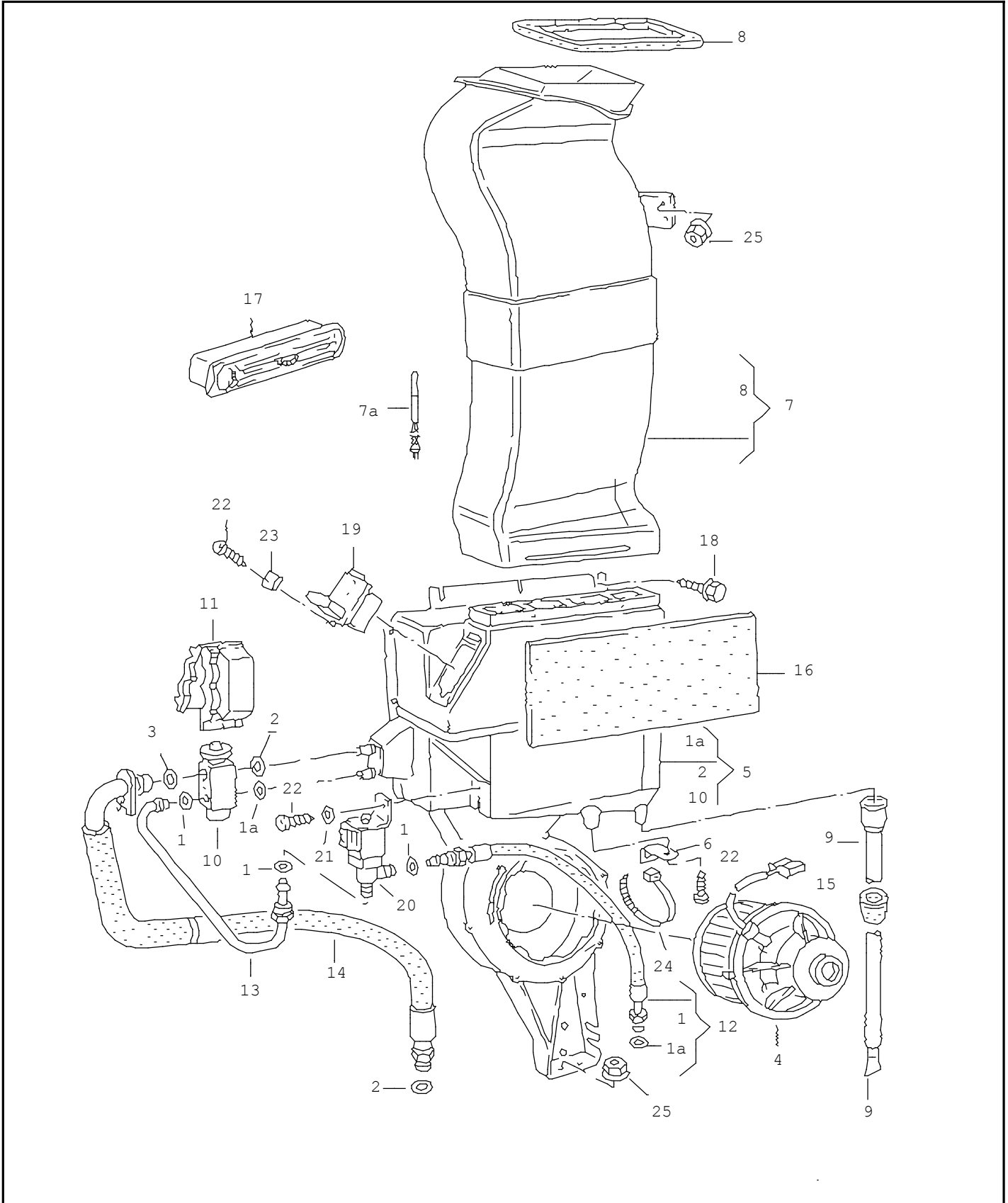
Pos	Part Number	Name	Remarks	Qty	Model
	5/98 01C	satin black		1	
16	701 820 751 A	grommet	42X12X33	1	
17	701 819 021 B	blower	lhd	1	
18	028 906 283	change-over valve	black	1	
19	N 905 426 03	hex. hd. self-tap bolt (combi)	6,6X19-D	1	
20	N 902 294 01	fillister hd. bolt	E4,8X16K	1	
21	N 020 139 1	tube in coils of 5m 'order unit 5'	4X1	*	
		use if required:	N 020 353 5	*	
		shorten to:	550MM	1	
-	N 020 353 5	hose in coils of 5m 'order unit 5'	3,5X2	*	
22	N 013 971 3	oval head panel screw	B4,8X22	1	
-		shorten to:	50MM	1	
23	N 013 962 2	oval head panel screw	ST3,9X16-C	5	
24	N 013 956 6	oval head panel screw	B3,5X6,5-C	1	
25	N 011 522 7	washer	A4,3X9X0,8	2	
26	N 011 004 2	hexagonal nut	M4	2	
27	N 010 201 7	hexagonal head bolt	M4X8	2	
		- - - E N D - - -			



# ETKA



Model	Year	MG	SG	Illustration	Restrictions	Update		
TR	02	8	20	820-30		436	9:11	01.06.2007





# ETKA

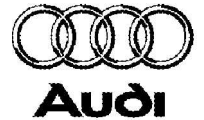


Model	Year	MG	SG	Illustration	Restrictions	Update	9:11	01.06.2007
TR	02	8	20	820-30		436		

Pos	Part Number	Name	Remarks	Qty	Model
		air distribution housing evaporator blower	rear		
1	8A0 260 749 AK	round seal	7,6X11,16	1	
1A	8A0 260 749 AJ	round seal	10,8X1,8	2	
1A	8A0 260 749 AJ	round seal F	10,8X1,8	2	
		>> 70-Y-090 000* only for:	7D0 820 741		
1A	7D0 820 749	sealing washer F 70-Y-090 001>>*	10,80X1,78	2	
		only for:	7D0 820 741		
2	8A0 260 749 AH	round seal	14X17,65	2	
3	1J0 820 749 B	round seal	17X1,8	2	
4	701 819 021 B	blower		1	
-	191 819 598	plug		1	
(5)	703 820 121 D	evaporator		1	
6	703 820 137	bracket F	>> 70-X-060 000*	1	
(7)	703 820 157 A	air duct		1	
7A	701 907 543 A	temperature sensor for vehicles with electroni- cally regulated air condit.		1	
(8)	7D0 820 190	gasket for air duct		1	
9	703 820 637	water drain hose		1	
(10)	701 820 679 D	expansion valve		1	
11	701 898 017	insulating piece		1	
(12)	7D0 820 741	refrigerant hose solenoid valve refrigerant compressor		1	
		use if required:	7D0 820 749	2	
13	703 820 742 A	refrigerant pipe solenoid valve expansion valve		1	
(14)	7D0 820 743	refrigerant hose (expansion valve > refrigerant compressor)		1	
15	701 820 751 B	grommet		1	
16	--- --- ---	no longer available		1	



# ETKA



Model TR	Year 02	MG 8	SG 20	Illustration 820-30	Restrictions	Update 436	9:11	01.06.2007
-------------	------------	---------	----------	------------------------	--------------	---------------	------	------------

Pos	Part Number	Name	Remarks	Qty	Model
17	703 820 951 A	air vent for vehicles with 2nd evaporator F >> 70-1-072 000*		6	
	5/98 10/00 Y20	pearl grey			
	8/98 10/00 8YS	light beige			
	5/98 8/98 5YX	beige			
(17)	7D0 820 951 A	air vent for vehicles with 2nd evaporator F 70-1-072 001>>*		6	
	11/00 Y20	pearl grey			
	11/00 8YS	light beige			
18	311 821 143	hex. hd. self-tap bolt (combi)	6,5X21,5	3	
19	701 959 263 A	series resistance for fresh air and hot air blower	1,9/0,92/0,26	1	
(19)	1J0 907 521	blower control for vehicles with electroni- cally regulated air condit.		1	
20	701 959 267	solenoid valve refrigerant circuit		1	
21	N 011 540 2	washer	A5,5X12,5X1,6	2	
22	N 013 966 26	oval head panel screw	4,2X13STC	2	
23	N 015 459 2	speed nut	B4,2X9,8X8	2	
24	N 020 902 2	cable tie F >> 70-X-060 000*	6X246	X	
25	171 201 969	hexagon nut, shouldered	5	4	
26	7D0 820 891	bracket expansion valve		1	
27	N 019 909 1	cheese head bolt	M5X35	2	
		- - - E N D - - -			