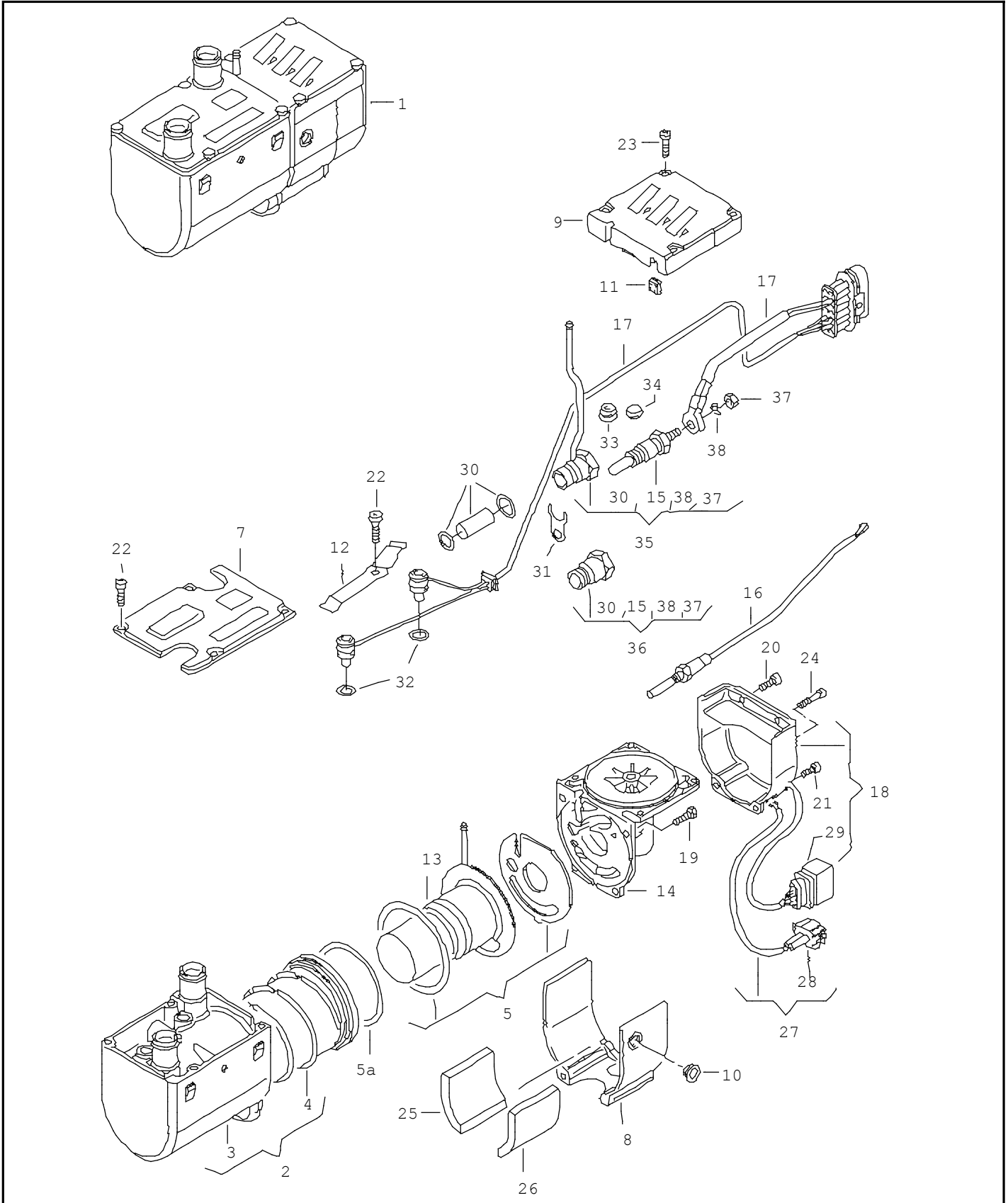




ETKA



Model	Year	MG	SG	Illustration	Restrictions	Update	8:50	01.06.2007
TR	01	8	19	819-62		436		





ETKA



Model TR	Year 01	MG 8	SG 19	Illustration 819-62	Restrictions	Update 436	8:50	01.06.2007
-------------	------------	---------	----------	------------------------	--------------	---------------	------	------------

Pos	Part Number	Name	Remarks	Qty	Model
		additional heater	D3W		diesel eng.: ACV,AJT,AHY, AXG,AYY,
		auxiliary heater for coolant circuit	D4W-S B4W-S		diesel eng.: ACV,AJT,AHY, AXG,AYC,AYY, automatic: AUF, otto engine: AET,AEU,APL, AVT
1	701 815 071	heater for additional heater F >> 70-Y-060 000*	D3W	1	ACV,AJT,AHY, AUF
(1)	7D0 815 071	heater for additional heater F 70-Y-060 001>>*	D3W	1	AGX,AYC,AYY
(1)	7M0 819 008 D	heater for auxiliary heater F >> 70-Y-060 000*	B4W-S	1	ACV,AJT,AHY, AUF
(1)	7M0 819 008 D	heater for auxiliary heater F >> 70-Y-060 000*	B4W-S	1	AET,AEU
(1)	7D0 819 008	heater for auxiliary heater F 70-Y-060 001>>*	B4W-S	1	APL
(1)	7M0 819 008 E	heater for auxiliary heater F >> 70-Y-060 000*	B4W-S	1	AVT
(1)	7M0 819 008 E	heater for auxiliary heater F >> 70-Y-060 000*	B4W-S	1	AET,AEU,APL
(1)	7D0 819 008 A	heater for auxiliary heater F 70-Y-060 001>>*	D4W-S	1	ACV,AJT,AHY
(1)	7M0 819 008 E	heater for auxiliary heater F >> 70-Y-060 000*	D4W-S	1	AUF
(1)	7D0 819 008 A	heater for auxiliary heater F 70-Y-060 001>>*	D4W-S	1	AGX,AYC,AYY
				1	ACV,AJT,AHY, AUF
2	701 819 031 D	heat exchanger		1	
3	7D0 819 061	heat exchanger housing		1	
4	701 819 033	heat exchanger		1	
5	701 898 003	set of seals F >> 70-Y-060 000*		1	
5	701 898 003 A	set of seals F 70-Y-060 001>>*		1	
(5A)	7D0 819 380	round seal	74X3	1	
7	701 815 713	cover		1	
8	701 815 715	cover additional heater for coolant circuit F >> 70-Y-060 000*	D3W	1	



E T K A



Model TR	Year 01	MG 8	SG 19	Illustration 819-62	Restrictions	Update 436	8:50	01.06.2007
-------------	------------	---------	----------	------------------------	--------------	---------------	------	------------

Pos	Part Number	Name	Remarks	Qty	Model
(8)	7M0 815 715	cover for vehicles with auxillary heater F >> 70-Y-060 000* use if required:	B/D4W-S 7M0 815 083 7M0 815 084	1 1 1	
8	701 815 715	cover F 70-Y-060 001>>* use if required:	7M0 815 083 7M0 815 084	1 1 1	
9	701 815 716	cover F >> 70-Y-060 000*		1	
(9)	7D0 819 915	cover F 70-Y-060 001>>*		1	
10	701 819 599	cap		1	
11	701 819 598	plug		1	
12	701 815 947	retaining plate		1	
13	701 819 659	combustion chamber insert F >> 70-Y-060 000*		1	
(13)	7D0 819 573 A	combustion chamber insert additional heater forcoolant circuit auxiliary heater for coolant circuit F 70-Y-060 001>>*	D3W D4W-S	1	AGX,AYC,AYY ACV,AJT,AHY, AUF
(13)	7D0 819 573 B	combustion chamber insert auxiliary heater for coolant circuit	B4W-S	1	AET,AEU,APL, AVT
14	7D0 963 031	blower motor with fan F >> 70-Y-060 000*	D3W	1	ACV,AJT,AHY, AUF
(14)	7D0 963 031 A	blower motor with fan F 70-Y-060 001>>*	D3W	1 1	AGX,AYC,AYY ACV,AJT,AHY, AUF
(14)	7M0 963 031 B	blower motor with fan for vehicles with auxillary heater F >> 70-Y-060 000*	D4W-S	1	ACV,AJT,AHY
(14)	7M0 963 031 B	blower motor with fan for vehicles with auxillary heater F >> 70-Y-060 000*	D4W-S	1	AUF
(14)	7M0 963 031 C	blower motor with fan for vehicles with auxillary heater F 70-Y-060 001>>*	D4W-S	1	AXG,AYC,AYY ACV,AJT,AHY, AUF



ETKA



Model TR	Year 01	MG 8	SG 19	Illustration 819-62	Restrictions	Update 436	8:50	01.06.2007
-------------	------------	---------	----------	------------------------	--------------	---------------	------	------------

Pos	Part Number	Name	Remarks	Qty	Model
(14)	7M0 963 031 C	blower motor with fan for vehicles with auxillary heater	B4W-S	1	AET, AEU, APL, AVT
15	7D0 963 319	glow plug		1	
16	7D0 963 533	fuel cut-off F >> 70-Y-060 000*		1	
(16)	7D0 963 533 A	fuel cut-off additional heater forcoolant circuit auxiliary heater for coolant circuit F 70-Y-060 001>>*	D3W D4W-S	1	AXG, AYC, AYY ACV, AJT, AHY, AUF
16	7D0 963 533	fuel cut-off auxiliary heater for coolant circuit F 70-Y-060 001>>*	B4W-S	1	AET, AEU, APL, AVT
17	7D0 963 537	wiring harness overheating switch temperature sensor additional heater forcoolant circuit F >> 70-Y-060 000*	D3W	1	ACV, AJT, AHY, AUF
(17)	7M0 971 411 B	wiring harness adapter overheating switch temperature sensor additional heater forcoolant circuit F 70-Y-060 001>>*	D3W	1	AXG, AYC, AYY ACV, AJT, AHY, AUF
(17)	7M0 971 411 B	wiring harness adapter overheating switch temperature sensor for vehicles with auxillary heater	D/B4W-S	1	
18	7D0 963 271	electronic control unit additional heater forcoolant circuit F >> 70-Y-060 000*	D3W	1	ACV, AJT, AHY, AUF
(18)	7D0 963 271 A	electronic control unit additional heater forcoolant circuit F 70-Y-060 001>>*	D3W	1	AXG, AYC, AYY ACV, AJT, AHY, AUF
(18)	7M0 963 271 B	electronic control unit for vehicles with auxillary heater F >> 70-Y-060 000*	D4W-S	1	ACV, AJT, AHY



ETKA



Model TR	Year 01	MG 8	SG 19	Illustration 819-62	Restrictions	Update 436	8:50	01.06.2007
-------------	------------	---------	----------	------------------------	--------------	---------------	------	------------

Pos	Part Number	Name	Remarks	Qty	Model
(18)	7M0 963 271 B	electronic control unit for vehicles with auxillary heater F >> 70-Y-060 000*	D4W-S	1	AUF
(18)	7D0 963 271 C	electronic control unit auxiliary heater for coolant circuit F 70-Y-060 001>>*	D4W-S	1	AXG,AYC,AYY ACV,AJT,AHY, AUF
(18)	7M0 963 271 C	electronic control unit for vehicles with auxillary heater F >> 70-Y-060 000*	B4W-S	1	AET,AEU
(18)	7M0 963 271 C	electronic control unit for vehicles with auxillary heater F >> 70-Y-060 000*	B4W-S	1	APL
(18)	7D0 963 271 B	electronic control unit auxiliary heater for coolant circuit F 70-Y-060 001>>*	B4W-S	1	AET,AEU,APL, AVT
19	N 010 207 6	hexagonal head bolt	M5X12	3	
20	N 014 123 3	fillister hd. bolt	M4X10	2	
21	N 014 131 3	fillister hd. bolt	AM5X15	1	
22	N 014 133 5	fillister hd. bolt	M5X12	5	
23	N 044 131 4	fillister hd. bolt	M5X25	4	
24	N 100 654 01	allen key head bolt	M5X65	1	
25	7M0 815 083	sound absorber for vehicles with auxillary heater	left	1	
26	7M0 815 084	sound absorber for vehicles with auxillary heater	right	1	
27	7M0 971 411 C	wiring harness adapter for vehicles with auxillary heater		1	
28	357 972 752	flat contact housing for vehicles with auxillary heater	2 pin	1	
29	3A0 973 734	flat contact housing	8 pin	1	
30	7D0 898 885	flame deflector strainer F 70-Y-060 001>>*	D3W/D4W-S	1 1	AXG,AYC,AYY ACV,AJT,AHY, AUF



ETKA



Model TR	Year 01	MG 8	SG 19	Illustration 819-62	Restrictions	Update 436	8:50	01.06.2007
-------------	------------	---------	----------	------------------------	--------------	---------------	------	------------

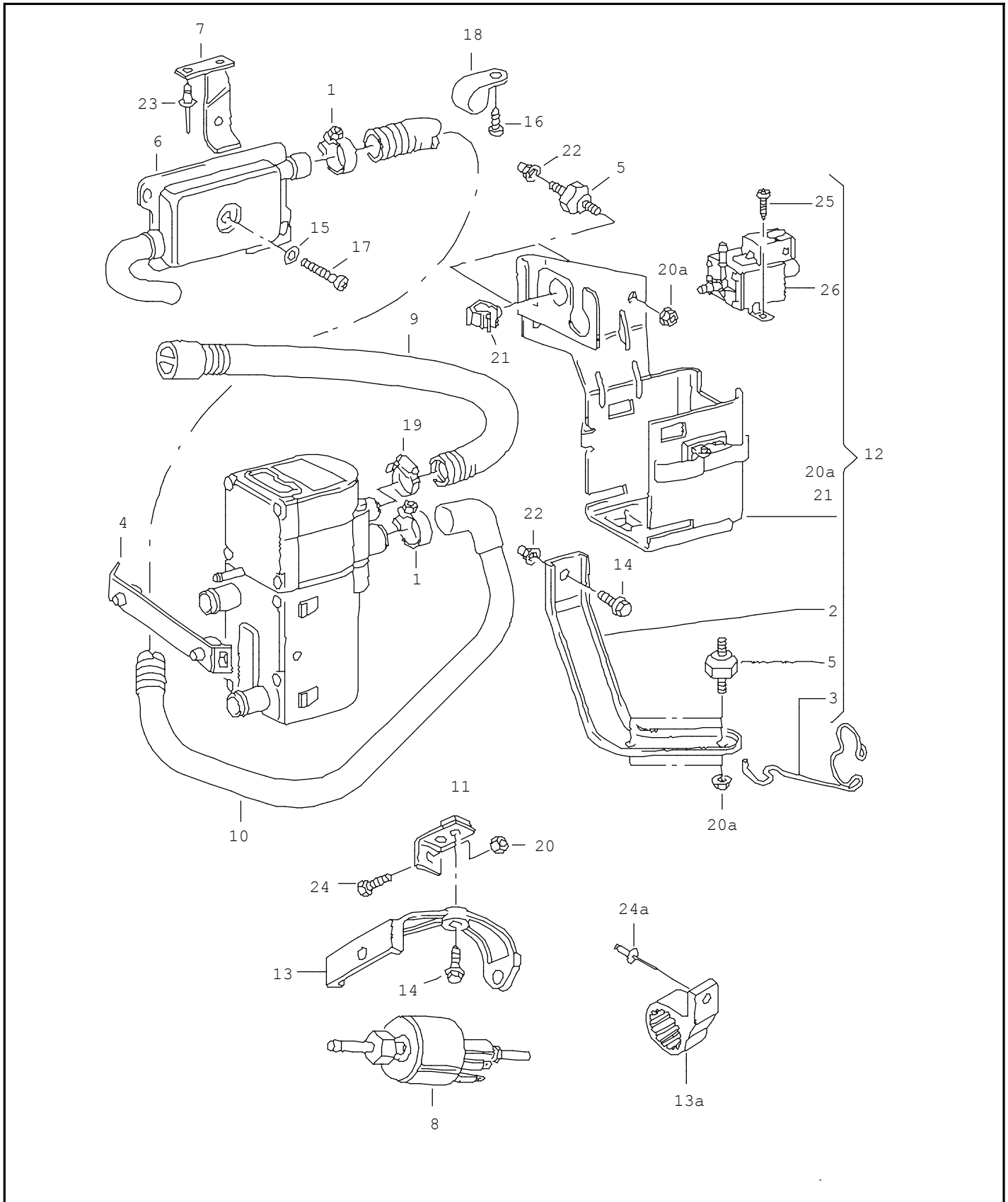
Pos	Part Number	Name	Remarks	Qty	Model
(30)	7D0 898 885 A	flame deflector strainer F 70-Y-060 001>>*	B4W-S	1	AET, AEU, APL, AVT
31	7D0 819 735 F	bracket F 70-Y-060 001>>*		1	
32	7D0 819 380 A	round seal additional heater for coolant circuit	7X2MM D3W	2	
33	7D0 819 345 A	grommet F 70-Y-060 001>>*	D3W	1 1	AXG, AYC, AYY ACV, AJT, AHY, AUF
34	7D0 819 394	protective cap F 70-Y-060 001>>*	D3W	1 1	AXG, AYC, AYY ACV, AJT, AHY, AUF
35	7D0 819 392	adapter additional heater for coolant circuit auxiliary heater for coolant circuit F 70-Y-060 001>>*	D3W D4W-S	1	AXG, AYC, AYY ACV, AJT, AHY, AUF
(36)	7D0 819 392 A	adapter auxiliary heater for coolant circuit	B4W-S	1	AET, AEU, APL, AVT
37	N 011 004 2	hexagonal nut	M4	1	
38	N 012 004 3	lock ring	B4	1	
- - - E N D - - -					



ETKA



Model	Year	MG	SG	Illustration	Restrictions	Update		
TR	01	8	19	819-64		436	8:51	01.06.2007





ETKA



Model TR	Year 01	MG 8	SG 19	Illustration 819-64	Restrictions	Update 436	8:51	01.06.2007
-------------	------------	---------	----------	------------------------	--------------	---------------	------	------------

Pos	Part Number	Name	Remarks	Qty	Model
		additional heater	D3W		diesel eng.: ACV,AJT,AHY, AXG,AYC,AYY diesel eng.: ACV,AJT,AYC, AYY, automatic: AUF, otto engine: AET,AEU,APL, AVT
		auxiliary heater	D4W-S		
			B4W-S		
1	N 104 361 01	clip	G1-25X15	2	
2	701 815 209	retaining bracket		1	
(3)	7D0 819 735 D	bracket F >> 70-X-060 000*	D3W	1	
(3)	7D0 819 735 C	bracket F 70-X-060 001>>*	D3W	1	
(3)	7D0 819 735 D	bracket for vehicles with auxillary heater		1	
3	701 815 929 B	bracket for vehicles with auxillary heater F >> 70-X-153 729*		1	
4	701 815 075	retaining clip		1	
5	701 819 083	bonded rubber mounting		4	
(6)	7D0 819 084	exhaust silencer F >> 70-2-200 000*		1	
(6)	7D0 819 084 A	exhaust silencer F 70-2-200 001>>*		1	
(7)	7D0 819 595	bracket		1	
8	701 819 100 D	fuel pump	D3W EBE-251 864 45	1	
(8)	7M0 819 100 A	fuel pump for vehicles with auxillary heater		1	
9	701 819 483 B	air hose for intake side		1	
(10)	7D0 819 507 A	exhaust pipe		1	
(11)	701 819 549 D	retaining bracket F >> 70-2-075 000*		1	
(12)	7D1 815 203	bracket	D3W	1	



ETKA



Model TR	Year 01	MG 8	SG 19	Illustration 819-64	Restrictions	Update 436	8:51	01.06.2007
-------------	------------	---------	----------	------------------------	--------------	---------------	------	------------

Pos	Part Number	Name	Remarks	Qty	Model
(12)	7D1 815 203	bracket for vehicles with auxillary heater		1	
		also use:	028 906 283	1	
			N 013 965 5	1	
13	701 819 949	loop F >> 70-2-075 000*		1	
13A	7M0 813 549 A	bracket F 70-2-075 001>>*		1	
14	N 010 217 10	hexagonal head bolt	M6X20	3	
16	N 013 964 9	oval head panel screw	ST4,2X16-C	1	
(17)	N 100 091 04	hexagon head bolt (combi)	M6X12	1	
18	N 101 394 02	clip	B15X28	1	
19	N 102 581 01	clip	AL23-35	1	
20	N 901 752 03	hexagon nut, shouldered F >> 70-2-075 000*	M6	1	
(20A)	N 022 148 11	hex. nut, self-locking	VM6	2	
(21)	N 906 661 01	cable tie	4,5X200	1	
22	N 902 521 01	rivetted cap nut	AM6/0,5-3	4	
23	N 904 786 01	pop-rivet	A4,8X11	2	
24	N 010 212 26	hexagonal head bolt F >> 70-2-075 000*	M6X12	1	
24A	N 909 310 01	pop-rivet F 70-2-075 001>>*	C4,8X24,5-15,9	1	
25	N 013 970 5	oval head panel screw for vehicles with auxillary heater	B4,8X9,5	1	
26	028 906 283	change-over valve for vehicles with auxillary heater	black	1	
-		room temperature regulator for vehicles with auxiliary heater		1	
		see illustration:	D4W-S B4W-S 963-20 POS. (1)		
		- - - E N D - - -			